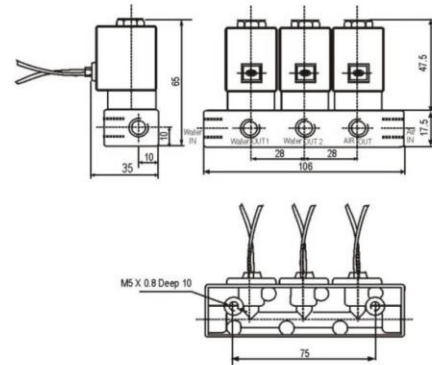




1 IN 3 OUT 2/2 WAY DIRECT ACTING SOLENOID VALVE
WITH 1/8" SCREWED FEMALE CONNECTION



All dimensions are in mm

MOUNTING / FITMENT DRAWING

1 IN 3 OUT 2/2 WAY DIRECT ACTING SOLENOID VALVE FOR DENTAL CHAIR

Model	:	CD13
Configuration	:	2/2 way Direct Acting, N.C.
Working Pressure	:	0 to 4 Bar
Electrical Connection	:	Fly Wire
Nominal Voltages Available	:	12V,24V,36V,48V DC 24V,36V,48V,110V,230V AC
Coil Insulation	:	Class 'F' Confirming to IP65
Coil Type	:	Fully Moulded
End Connections	:	1/8" (F)
Orifice	:	3mm
M.O.C. of Body	:	Polyacetal
M.O.C.Plunger	:	SS410 with antirust coating
M.O.C.Plunger Housing	:	Brass with Ni Plating
Seals	:	Food Grade Silicon



Goa's leading suppliers of Solenoid Valves for R.O & Dental Application.
www.sheetalenterprisesgoa.com | sheetalenterprisesgoa@gmail.com